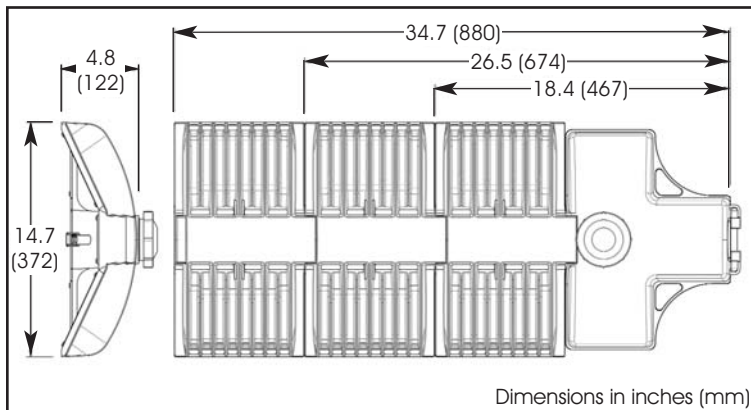




StreetSense™ Series LED Street Light



Certifications and Ratings:

- UL1598
- CSA C22.2 #250
- IP 66
- IDA Dark Sky

Compliances:

- RP-8-00

Test Reports:

- LM-79
- LM-80

Features & Benefits:

- Instant on/off response
- Environment friendly
- Resistant to shock and vibration
- 70% lumen maintenance over 80,000 operating hours
- Built-in thermal overload protection circuitry
- Built-in surge protection circuitry

Accessories (ordered separately):

- Photo Controller - part number - SLPC01R

A new direction in roadway lighting

Representing the latest innovation in LED roadway and area lighting, the new Dialight StreetSense™ Series LED Street Light features Dialight's exclusive optics technology for precision light placement along with maximum energy efficiency and reliability for ultra-low total cost of ownership over the lifetime of the fixture.

Mechanical Information:

Fixture Weight: See ordering info below

Mounting: Accommodates a 2" IP (2.375" OD) pipe. Provision for adjustment of +/- 5° in 2.5° increments

Electrical specifications:

Operating Voltage: 100-277V AC

Total System Power Consumption: See ordering info below

LED Drive Current: 348mA

Operating Temp: -40°F to 165°F (-40°C to 74°C)

Noise Requirements / EMC: FCC Title 47, Subpart B, Section 15, class A device. RF Immunity; 10V/m, 80MHz-1GHz

Transient Protection: ANSI C136.2 (600V classification) Dielectric and Transient voltage withstand tests

THD: <15% (100 - 240V AC)
<20% (277V AC)

Power Factor: >0.95

Material:

Housing: Cast aluminum housing with terminal block for up to 6AWG wire. Unique hinged grey polycarbonate bottom cover provides tool less access to terminal blocks and pole fittings for quick and easy luminaire mounting.

Finish: Polyester / epoxy powder coat grey. Standard RAL 7040. (Other finish options available on request.)

Lens: UV and abrasion resistant polycarbonate cover lens (Glass lens options available on request.)

Photocontroller Socket: Standard NEMA three prong twist lock, socket with shorting cap, as per ANSI C136.10

Photometric Information:

CRI (typ): 72 (cool white)
75 (neutral white)

CCT (typ): 6,000K (cool white)
4,300K (neutral white)

Optics: IES Type III
(Types II, IV, V available on request)

Part Number	Total System Power Consumption (W)	CCT (typ)	Initial Fixture Lumens	Lumen Per Watt	BUG Rating	Fixture Weight (lbs)	EPA (SQ. ft)	Dimensions (inches)
SL3C4CLGH	61	6,000K	4,466	73	B1U2G1	16	0.60	18.4 x 14.7 x 4.8
SL3C4HLGH	121	6,000K	8,985	74	B2U3G2	25	0.87	26.5 x 14.7 x 4.8
SL3C4RLGH	182	6,000k	13,471	74	B3U3G3	34	1.13	34.7 x 14.7 x 4.8
*SL3N4CLGH	61	4,300K	4,214	69	B1U2G1	16	0.60	18.4 x 14.7 x 4.8
*SL3N4HLGH	121	4,300K	8,428	70	B2U3G2	25	0.87	26.5 x 14.7 x 4.8
*SL3N4RLGH	182	4,300K	12,615	69	B3U3G3	34	1.13	34.7 x 14.7 x 4.8

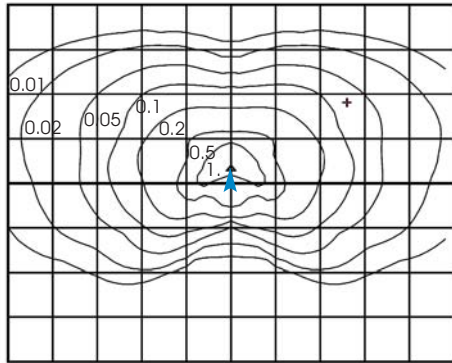
*Lumen values for neutral white part numbers based on preliminary IES files. LM-79 pending.

Type III (61 Watt Cool White) - Light Measurement Data

LM-79 Certified

Iso-Illuminance Chart (fc)

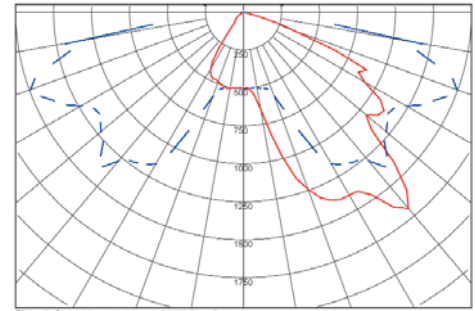
Example shown: 25 ft Mounting Height



Spacing of each box is equal to mounting height in feet.
 Ex: 40ft mounting height = each box is 40ft, 30ft mounting height = each box is 30ft
 ▲ - Location of streetlight

Mounting Height	Multiplier
10	6.250
15	2.778
20	1.563
25	1.000
30	0.694
35	0.510
40	0.319
45	0.309
50	0.250

Intensity Distribution Curve (cd)



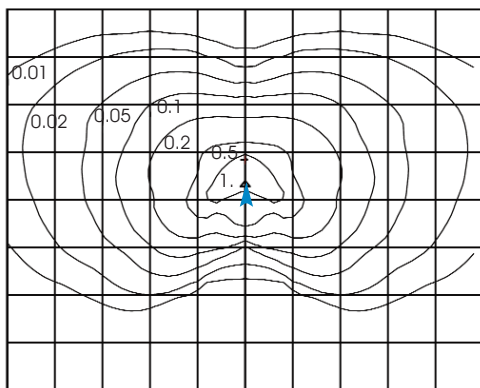
Bilaterally Symmetric 180-0 Deg. 90-270 Deg. (Dashed)
 ETL Intertek certified test performed to IES LM-79-08 standards

Type III (121 Watt Cool White) - Light Measurement Data

LM-79 Certified

Iso-Illuminance Chart (fc)

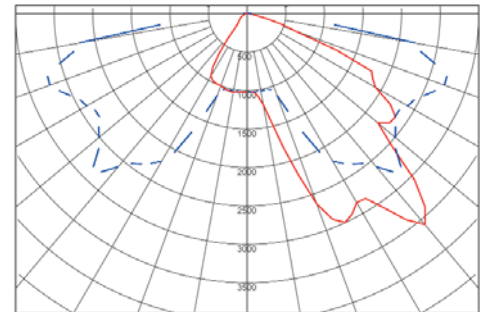
Example shown: 35 ft Mounting Height



Spacing of each box is equal to mounting height in feet.
 Ex: 40ft mounting height = each box is 40ft, 30ft mounting height = each box is 30ft
 ▲ - Location of streetlight

Mounting Height	Multiplier
10	12.250
15	5.444
20	3.063
25	1.960
30	1.361
35	1.000
40	0.766
45	0.605
50	0.490

Intensity Distribution Curve (cd)



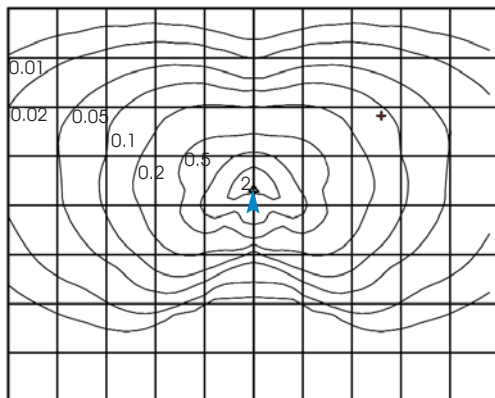
Bilaterally Symmetric 180-0 Deg. 90-270 Deg. (Dashed)
 ETL Intertek certified test performed to IES LM-79-08 standards

Type III (182 Watt Cool White) - Light Measurement Data

LM-79 Certified

Iso-Illuminance Chart (fc)

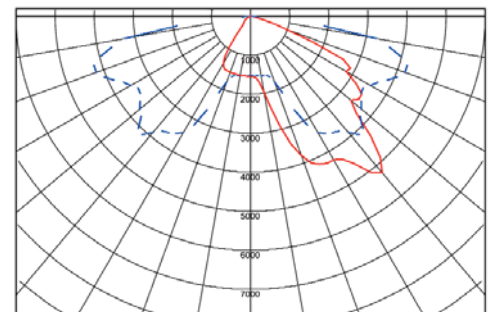
Example shown: 35 ft Mounting Height



Spacing of each box is equal to mounting height in feet.
 Ex: 40ft mounting height = each box is 40ft, 30ft mounting height = each box is 30ft
 ▲ - Location of streetlight

Mounting Height	Multiplier
10	12.250
15	5.444
20	3.063
25	1.960
30	1.361
35	1.000
40	0.766
45	0.605
50	0.490

Intensity Distribution Curve (cd)



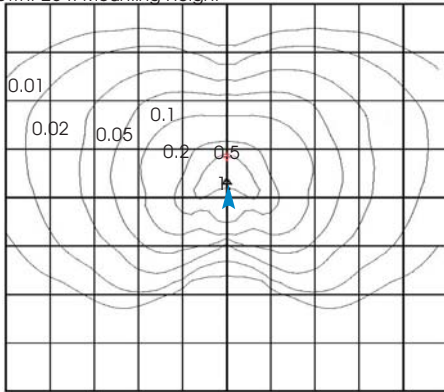
Bilaterally Symmetric 180-0 Deg. 90-270 Deg. (Dashed)
 ETL Intertek certified test performed to IES LM-79-08 standards

Type III (61 Watt Neutral White) - Light Measurement Data

Preliminary Measurements

Iso-Illuminance Chart (fc)

Example shown: 25 ft Mounting Height



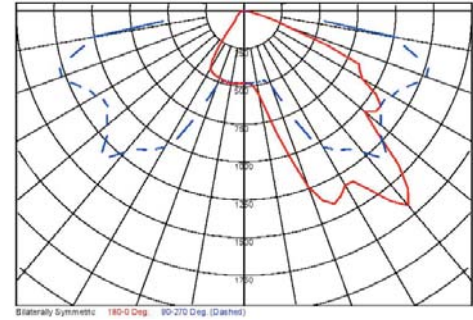
Spacing of each box is equal to mounting height in feet.

Ex: 40ft mounting height = each box is 40ft, 30ft mounting height = each box is 30ft

▲ - Location of streetlight

Mounting Height	Multiplier
10	6.250
15	2.778
20	1.563
25	1.000
30	0.694
35	0.510
40	0.319
45	0.309
50	0.250

Intensity Distribution Curve (cd)

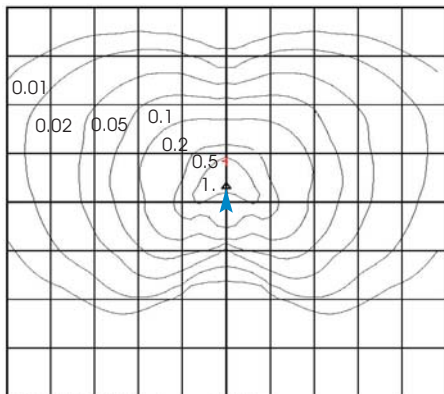


Type III (121 Watt Neutral White) - Light Measurement Data

Preliminary Measurements

Iso-Illuminance Chart (fc)

Example shown: 35 ft Mounting Height



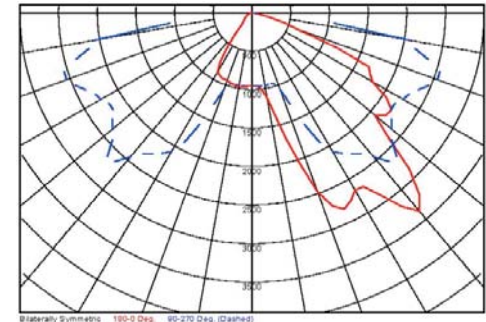
Spacing of each box is equal to mounting height in feet.

Ex: 40ft mounting height = each box is 40ft, 30ft mounting height = each box is 30ft

▲ - Location of streetlight

Mounting Height	Multiplier
10	12.250
15	5.444
20	3.063
25	1.960
30	1.361
35	1.000
40	0.766
45	0.605
50	0.490

Intensity Distribution Curve (cd)

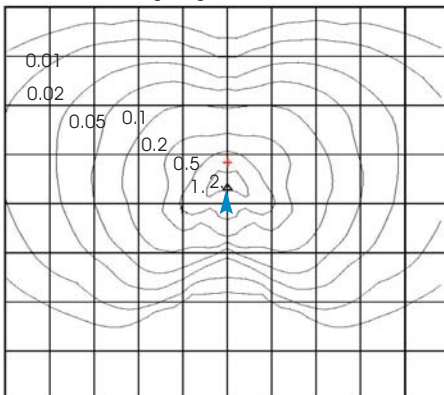


Type III (182 Watt Neutral White) - Light Measurement Data

Preliminary Measurements

Iso-Illuminance Chart (fc)

Example shown: 35 ft Mounting Height



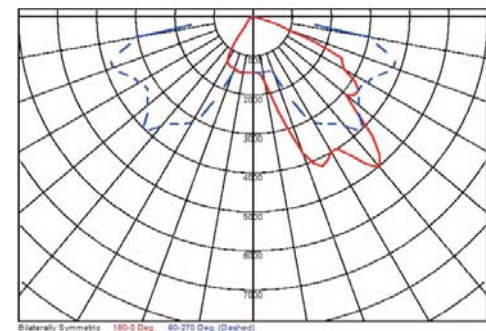
Spacing of each box is equal to mounting height in feet.

Ex: 40ft mounting height = each box is 40ft, 30ft mounting height = each box is 30ft

▲ - Location of streetlight

Mounting Height	Multiplier
10	12.250
15	5.444
20	3.063
25	1.960
30	1.361
35	1.000
40	0.766
45	0.605
50	0.490

Intensity Distribution Curve (cd)



Dialight reserves the right to make changes at any time in order to supply the best product possible.

The most current version of this document will always be available at:

www.dialight.com/Assets/Brochures_And_Catalogs/Illumination/MDTFSL3X001.pdf